



3 Way Mixing/Diverting Valve

3 WAY MIXING/DIVERTING VALVES(M/D) valves have internal port switching devices which automatically mix or divert fluids in proportion to temperature in any fluid based system. They come in brass and bronze housings, with port sizes from 1/2" to 1". Adjustable and pre-calibrated models available. Special connections, configurations or materials also available for OEM requirements. Nominal operating temperatures from 20°C to 90°C.



Port Size: DN15



Port Size: DN20

Advantages:

- * Brass body and thermal element
- * Narrow temperature band
- * Compact, low mass - Fast response
- * Sensitive to temperature only

Design Features:

- * Solar water heating systems
- * Cooling water control-Radiator
- * Cooling water control-Heat Exchanger
- * Hydraulic fluid cooling systems
- * Direct cooling with raw water
- * Lube oil cooling control
- * Constant temperature baths, wash basins & sinks
- * Loop-type circulation systems
- * Direct injection water heating
- * Hot water washdown stations
- * Make-up water
- * Electric system cooling
- * Air conditioning
- * Water conservation

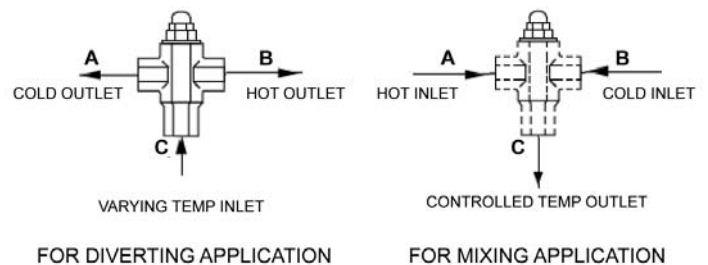
Operation

Winning M/D temperature control valve is designed for 3-way mixing or diverting applications.

For mixing applications, the M/D valve will proportion the flow from two inlet ports to produce the desired outlet port temperature.

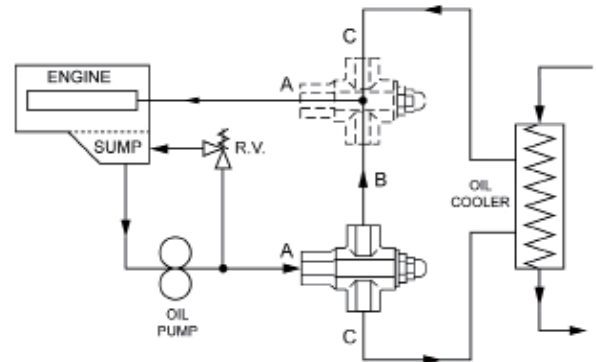
For diverting applications, the M/D valve will divert or switch the inlet flow to either of two outlet ports depending on the fluid temperature.

PLUMBING DIAGRAMS

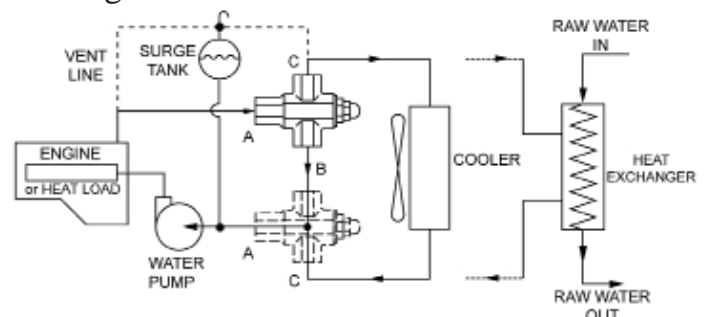


Sample Applications

Lube Oil Control



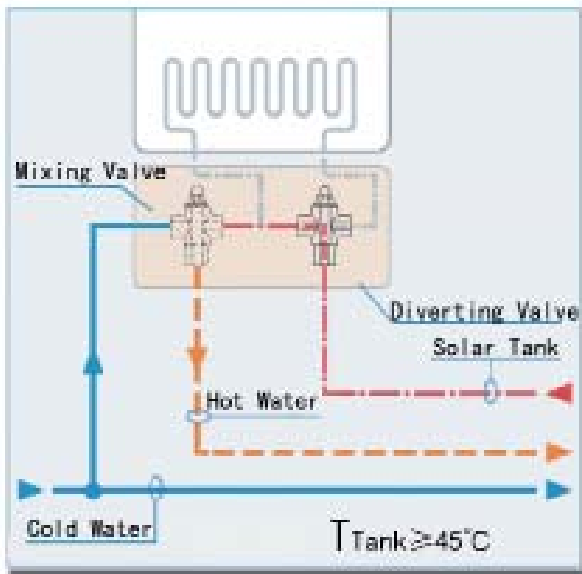
Cooling Water Control Using Radiator Or Heat Exchanger



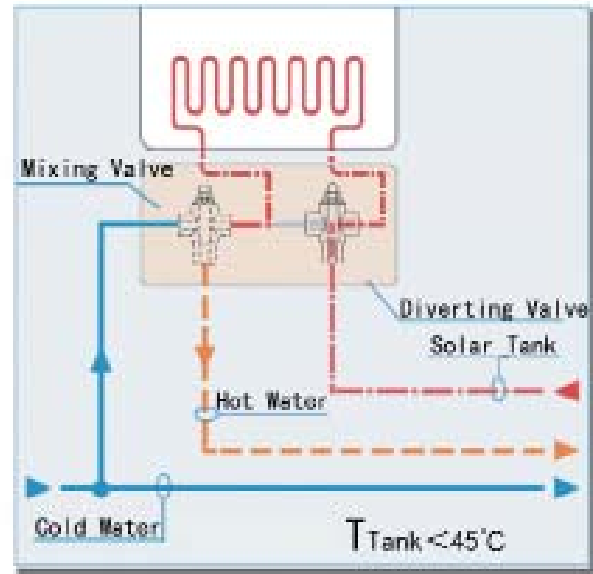


Mixing/Diverting Valve

Preheated Water Control With Tankless Heater



When temperature of preheated water from solar tank is higher than 45 deg, the hot water port fully opened while the cold water port fully closed in the diverting valve. The hot water from diverter valve goes into mixing valve together with cold water to form the desired temperature water for using point.



When temperature of preheated water from solar tank is lower than 45 deg, the hot water port fully closed while the cold water port fully opened in the diverting valve. The cold water from diverter valve goes boiler to be heated, then goes into mixing valve together with cold water to form the desired temperature water for using point.

Specifications

Model	Port Size	Body Material	Set Up Temp (°C)	Accuracy (°C)	Maximum Operating Temp (°C)	Maximum Operating Pressure (MPa)	Flow Rate (Cv)	Net Weight (g)
M/D20-45	DN20	Brass	45	±2	95	1.0	1.2	320
M/D15-45	DN15	Brass	45	±2	95	1.0	1.2	290

Notes:

*Other set up temperature available, please consult with us.

*Unless noted, all set points listed have a +/-2 °C tolerance range. During operation, the valve will modulate the Cold side (A port) closed at 2 °C below the set point and the Hot side (B port) closed at 2 °C above the set point.

Beijing Winning Thermo Control Equipment Co., Ltd.

Web: <http://www.valcoo.com/en/>

Tel: 86-10-8404-4009

Fax: 86-10-8433-9655

Add: Chaoyang District, Beijing, China